



## Veryx ATTEST™ IGMPv3 Conformance Test Suite DATASHEET

Veryx ATTEST™-CTS Internet Group Multicast Protocol Version 3 (IGMPv3) automated test suite provides Equipment Manufacturers and Service Providers an easy and efficient solution for verification of IGMPv3 implementation in Ethernet Switches and Routers deployable in IPv4 networks. ATTEST enables significant speeding up of testing cycles and reduces the "time-to-market".

Veryx ATTEST IGMPv3 Conformance Test Suite is designed for conformance testing of IGMPv3 protocol in IPv4 networks. ATTEST IGMPv3 relies on ATTEST -- a powerful test framework that requires minimal time for set-up and enables efficient use of time and resources.

Veryx has devised over 72 test cases that comprehensively test for IGMP conformance. These test cases have been grouped into 6 convenient test groups based on the IETF specification for each category of functions.

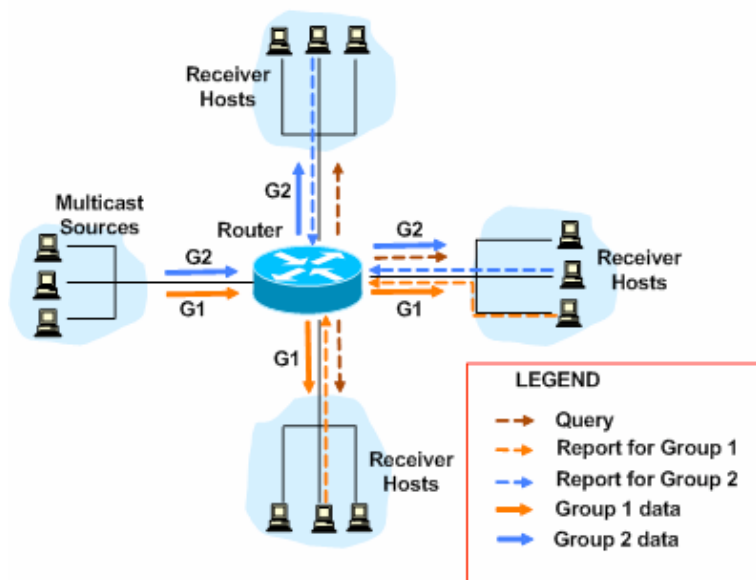


Figure 1. An example of an IPv4 multicast network highlighting IGMP PDU exchanges between Router and Hosts

### SPECIFICATIONS

IETF RFC 3376

### IGMPv3 TESTS

- \* Query Handling
- \* Data Forwarding
- \* Multicast Router
- \* IGMPv1 and IGMPv2 Interoperability
- \* Packet Handling
- \* Packet Format

### PLATFORM REQUIREMENTS

- \* ATTEST 6.x Framework
- \* 2 Ethernet ports
- \* Serial or additional Ethernet port for DUT management

ATTEST-CTS IGMPv3 test cases perform conformance testing for Multicast Router functionality, Query handling and IGMP v1/v2 interoperability. Tests also verify the packet format of IGMP messages and the data forwarding behavior of the multicast router.

ATTEST IGMPv3 Conformance Test Suite is written in industry standard Tcl scripts. Well-defined APIs and source files provide the flexibility to add, customize or modify the test cases for specific requirements. Together with other ATTEST-CTS and ATTEST-XP test suites for IPv4 protocols, Veryx provides one of the widest ranges of test suites for verification of IPv4. Test suites for IPv6, Layer-2 bridging and Carrier Ethernet are also available.

### About Veryx Technologies

Veryx Technologies (formerly Net-O<sub>2</sub> Technologies) provides innovative Verification and Measurement Solutions for the global communications industry. ATTEST solutions verify networking equipment being used for Access, Carrier Ethernet, Data Center, Edge, Enterprise, Industrial and Security. The unique offerings from Veryx enable customers to reduce the "time-required-to-test" and enhance their "time-to-market".

Veryx ATTEST™ is the trademark of Veryx Technologies. All other trademarks of respective owners are acknowledged.

